

**SERIES 1015 (12" HIGH) HEAVY DUTY VALVE BOX TAN**

■ 60 PER PALLET

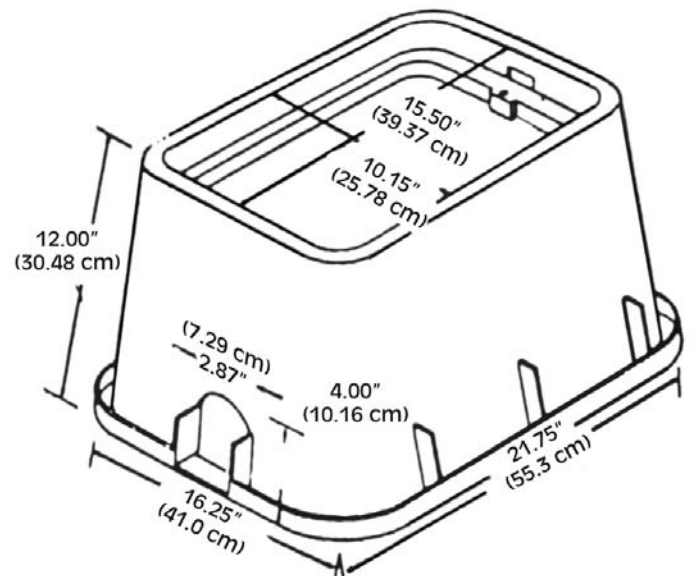
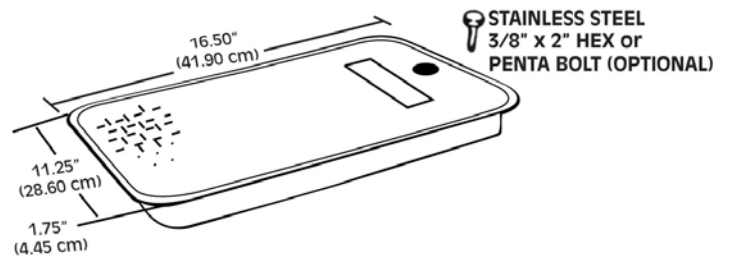
■ BODY WITH "T" COVER	1015T-1T2T	9.97 LBS.	4.52 KG
■ "T" COVER	1015T-2T	2.24 LBS.	1.02 KG
■ BODY	1015T-T	7.73 LBS.	3.50 KG



1015-1T



1015T-2T



**SPECIAL  
FEATURES**

- HEAVY DUTY CONSTRUCTION
- SINGLE OR NO PORT
- MOLDED IN NYLON NUT FOR BOLT
- NESTABLE FOR STORAGE OR SHIPPING
- UV INHIBITOR TO PREVENT DISCOLORING & CRACKING

**STANDARD MARKINGS AVAILABLE (IRRIGATION CONTROL VALVE)**