

## INTRODUCTION

In most installations, the Wind-Clik acts as a switch to break the circuit to the solenoid valves of the irrigation system during high wind conditions. This allows the timer to advance as scheduled, but keeps the valves from opening the water flow. Once the wind conditions drop below the reset point, the switch closes again to allow for normal operation. This is performed by the wind action of the vanes. They rotate about 180°, and **DO NOT SPIN**. There are arrow indicators on the top part of the housing that indicate the direction of rotation from rest. The switching action occurs about midway in the range of rotation.

## MOUNTING

The housing of the Wind-Clik is designed to slip over the end of 2" PVC pipe. The length and the fixing of the pipe is then up to the user depending on the situation. For example, the pipe could be inserted directly into the ground as a post, or a short length could be screwed into a wooden deck post.

## Mounting Location

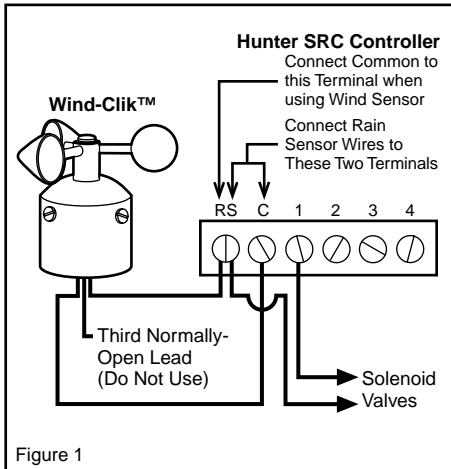
Wind obstructions should be avoided, of course; however, when buildings are nearby, the Wind-Clik should be located so that the prevailing wind direction is not obstructed. Going up high is not always necessary; however, it is a good way to avoid obstructions. Wind speeds often vary according to ground height, and for irrigation system control the wind speed about 6 feet above ground would be a good representative height for the Wind-Clik placement.

## WIRING TO YOUR IRRIGATION SYSTEM

### Wiring to the Hunter SRC Controller

The Wind-Clik connects directly to the SRC. This allows you to easily override the sensor by using the RUN (BYPASS SENSOR) position on the dial.

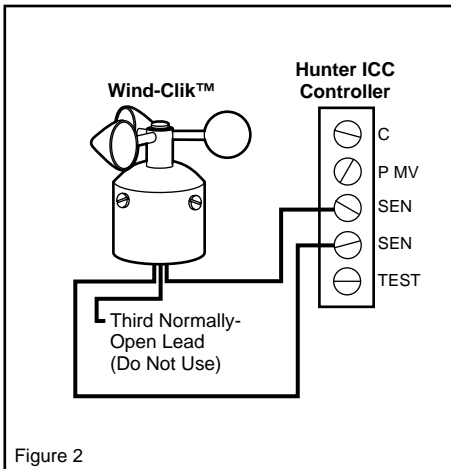
1. Route the wires from the Wind-Clik up through the same opening used for valve wiring.
2. Connect one wire to the RS terminal and other to the C terminal (See Figure 1).
3. Connect the valve common to the RS terminal.



### Wiring to the Hunter ICC Controller

The Wind-Clik connects directly to the ICC. This allows you to easily override the sensor by using the Sensor switch on the front panel.

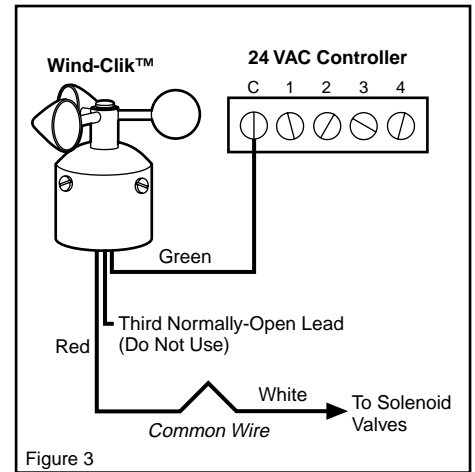
1. Remove the jumper from the two "SEN" terminals.
2. Route the wires from the rain sensor up through the same conduit opening used for valve wiring.
3. Connect one wire to the terminal labeled "SEN" and the other wire to the other "SEN" terminal (See Figure 2).



## Other Controllers

The two most common situations are shown below. For non-standard wiring situations, please consult your distributor or request our "Non-standard" wiring information packet.

For sprinkler systems, use the common and normally closed wire to break the solenoid common circuit (See Figure 3). For a controller with sensor inputs, use either the N.C. or N.O. wire depending on the controller's instructions (See Figure 4).



## ADJUSTMENTS

The large knob is the switching (actuation) speed in mph. For example, if the unit is wired "normally closed," the dial will indicate the wind speed that the unit will switch open. The small knob is the reset speed. This is the wind speed that the wind will have to slow down to in order to reset the switch (closed, in this example). The reset speed should always be set lower than the switching speed. If the reset speed is set the same or higher than switching speed, extreme switch chatter could occur (on-off-on-off etc). The difference between the two settings will largely determine the cycling of the system being controlled. The larger the difference, the longer the cycle. Do not try to move the dial knobs counter-clockwise past the lowest speed setting, nor go past the highest speed setting.

## OPERATION

There is built in damping in the unit to alleviate the problem of short gusts of wind. Therefore, the wind speed settings, while accurate under controlled conditions, are actually relative averages when set up in the field. The user should make initial wind speed settings and then observe to make sure the Wind-Clik is switching as desired. Incremental adjustments can then be made. Manual operation or testing of the unit can be done by manually rotating the vanes in the direction of the arrows. Switching will occur about 90° from the rest position and stay switched to the end of its travel range (180° from rest). Allowing the vanes to rotate backwards to the rest position will deactivate the switch (about 45° from the rest position).

