

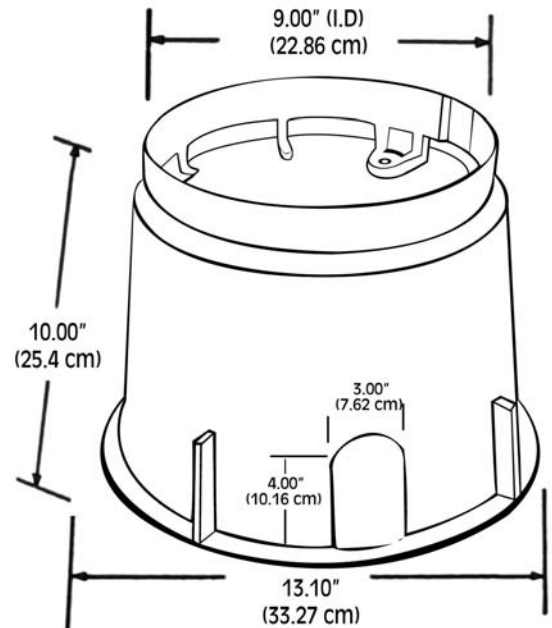
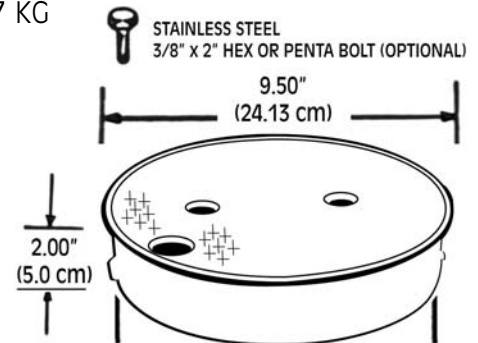
SERIES 910L (10" ROUND) GREEN

■ 90 PER PALLET

■ BODY & COVER 910L-1G2G 3.84 LBS. 1.74 KG

■ BODY 910L-1G 2.59 LBS. 1.17 KG

■ COVER 910L-2G 1.25 LBS. 57 KG



SPECIAL FEATURES

- TWIST LOCK COVER
- STRONGER LOAD STRENGTH
- UV INHIBITORS TO PREVENT DISCOLORATION & CRACKING
- MOLDED IN NYLON NUT FOR BOLT
- HEAVY DUTY CONSTRUCTION

OTHER STOCK COLORS AVAILABLE

TO SEE COLOR
CLICK ON COLOR

- TAN
- BLACK
- GRAY
- LAVENDER

STANDARD MARKINGS AVAILABLE (IRRIGATION CONTROL • CATV • WATER • SEWER • TELEPHONE • ELECTRIC • BLANK • RECLAIMED WATER)