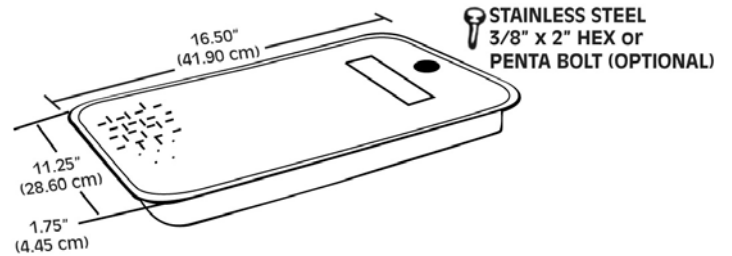


## SERIES 1015 (12" HIGH) HEAVY DUTY VALVE BOX BLACK

■ 60 PER PALLET			
■ BODY WITH DROP-IN COVER	1015-1B2B	10.00 LBS.	4.53 KG
■ BODY WITH "T" COVER	1015T-1B2B	9.97 LBS.	4.52 KG
■ BODY WITH METER READER COVER	1015-1B3B	10.13 LBS.	4.49 KG
■ BODY	1015-1B	7.73 LBS.	3.50 KG
■ 1. DROP-IN COVER	1015-2B	2.27 LBS.	1.03 KG
■ 2. "T" COVER	1015T-2B	2.24 LBS.	1.02 KG
■ 3. COVER WITH METER DOOR	1015-3B	2.18 LBS.	.99KG



1015-1B



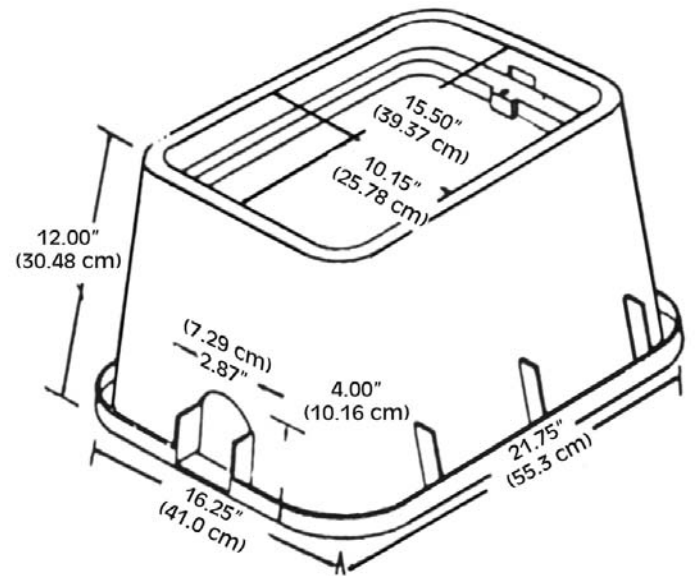
1.  
1015-2B



2.  
1015T-2B



3  
1015-3B



### SPECIAL FEATURES

- HEAVY DUTY CONSTRUCTION
- MOLDED IN NYLON NUT FOR BOLT
- SINGLE OR NO PORT
- UV INHIBITOR TO PREVENT DISCOLORING & CRACKING
- NESTABLE FOR STORAGE OR SHIPPING

**STANDARD MARKINGS AVAILABLE (IRRIGATION CONTROL VALVE  
• WATER (SOLID OR METER DOOR) • ELECTRIC • WATER)**